

Central Inverter (1000kW)



SUN8000 -1000IS



Higher Yields

- All-in-one solution for easy deployment
- Maximum yields obtained with all "higher yields" features of two SUN8000-500KTL combined into 1MW standard unit
- Integration of inverter and power distribution helps reduce system power loss
- Separated inverter and cabinet precise cooling helps reduce cooling power loss

High Reliability

- IP54 class protection with high density air inlet filter and aluminum outlet shutters helps improve anti-dust and waterproof function
- Extremely reliable in salty environment with highly durable coating

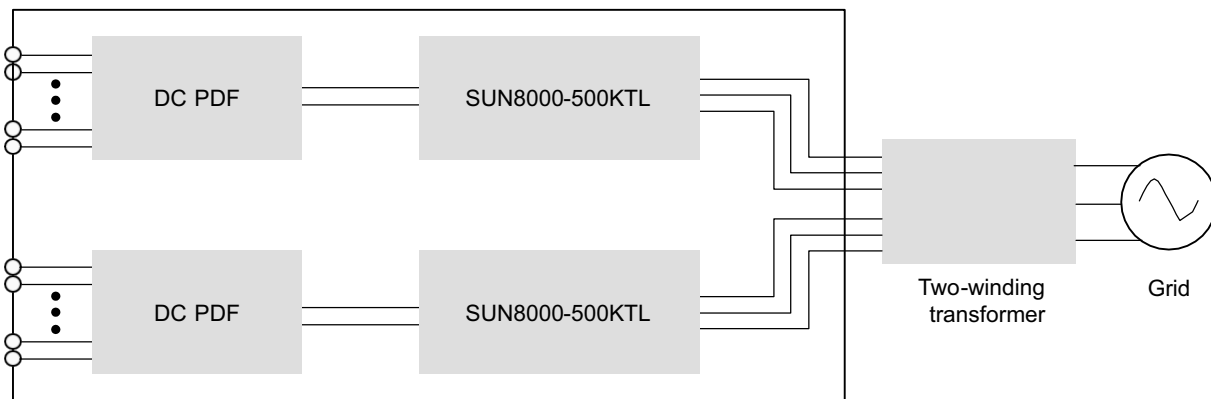
Smart

- Save maintenance costs with comprehensive one-site monitoring of combiner-box, power distribution and inverter
- Smart synchronized control of container cabinet fans and inverter fans to improve the heat dissipation and anti-dust effect
- Installation space reserved for system communication cabinet

Friendly

- Encompasses all grid management functions
- Easy to clean and replace air inlet filter
- Optional functions of warming and dehumidification, continuous max. power output at the temperature of -30°C to +55°C
- 5-10% saving of medium voltage transformer investment realized with use of two-winding transformer instead of double-split transformer

SUN8000-1000IS Diagram



Central Inverter (1000kW)



Technical Specifications

Technical Specifications	SUN8000 -1000IS
Input	
Max. input voltage	1000 V
Max. input current	2000 A
Operating voltage range	475 V – 900 V
MPP voltage range	500 V - 850 V
Recommended input numbers	16
Number of MPP trackers	2, 4 (Optional)
Output	
Rated output power	1000 kW / 1000 kVA
Max. AC output power	1200 kW / 1200 kVA
Rated output voltage	3 phase, 320 V
AC power frequency	50 Hz / 60 Hz
Rated output current	1800 A
Max. output current	2160 A
Adjustable power factor	0.8 leading ... 0.8 lagging
Max. total harmonic distortion	< 3%
Protection	
Input-side disconnection device	Yes
Output-side disconnection device	Yes
DC/AC over current protection	Yes
DC surge arresters	Type II
AC surge arresters	Type II
Insulation monitoring	Yes
Display and Communication	
Display	Graphic LCD
RS485	Standard
USB	Standard
Ethernet	Optional
General Data	
Dimensions (W/H/D)	6058 × 2896 × 2438 mm
Weight	6500 kg
Operating temperature range	-30 °C to +55 °C (-22 °F to +131 °F)
Cooling	Adaptive forced-air cooling
Operating altitude	6000 m (Derating above 3000 m)
Relative humidity (non-condensing)	0 - 95%
Degree of protection	IP54
Installation	
Installation	Floor
Cabling	Bottom

Configuration

Item	Quantity
Container	1 PCS
SUN8000-500KTL Solar Inverter	2 PCS
500 kW DC PDF	2 PCS
AC power distribution box	1 PCS
Cooling system	1 Set
Light	4 PCS
Monitoring system	1 PCS
Smoke sensor	1 PCS
Door sensor	2 PCS
Container cabinet fan	2 PCS
Fire extinguishers	2 PCS
Container cabinet power transformer	1 PCS (Optional)
Audible and visual alarm	1 Set (Optional)