

# String Inverter (SUN2000-40KTL)



## Smart

- Maximum of 3 MPPT for versatile adaptations to different module types or quantities built up with different alignments
- 6 strings intelligent monitoring and 80% time saving for fault detection
- Power Line Communication (PLC) supported
- Adaptive Edge MPPT for fast tracking

## Efficient

- Max. efficiency 98.8%, European efficiency 98.4%
- Saving AC cable investment up to 20% without N-Line
- Easy to install with the weight of 50kg

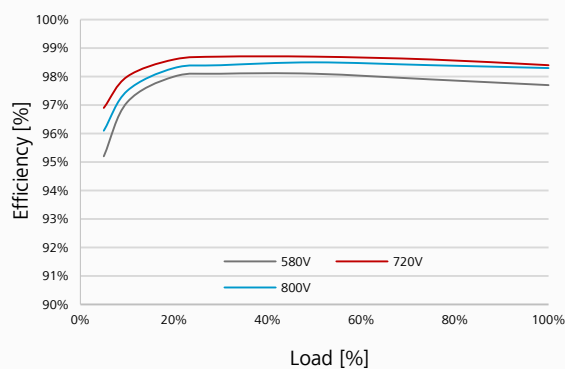
## Safe

- DC disconnect integrated, safe and convenient for maintenance
- Type II surge arresters for both DC and AC
- Ground fault protection
- Residual Current Detection (RCD) protection

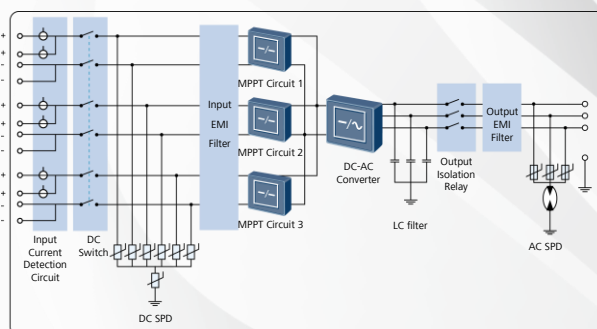
## Reliable

- No need for external fans with natural cooling technology
- Protection rating of IP65

Efficiency Curve



Circuit Diagram



SUN2000-40KTL



# String Inverter (SUN2000-40KTL)



Technical Specifications	SUN2000-40KTL
	<b>Efficiency</b>
Max. Efficiency	98.8%
European Efficiency	98.4%
	<b>Input</b>
Max. DC Usable Power	36,700 W
Max. Input Voltage	1,000 V
Max. Current per MPPT	23 A
Max. Short Circuit Current per MPPT	32 A
Min. Operating Voltage / Start Input Voltage	200 V / 250 V
Full Power MPPT Voltage Range	580 V ~ 850 V
MPPT Operating Voltage Range	200 V ~ 950 V
Rated Input Voltage	720 V
Max. Number of Inputs	6
Number of MPP Trackers	3
	<b>Output</b>
Rated AC Active Power	36,000 W
Max. AC Apparent Power	40,000 VA
Max. AC Active Power (cosφ=1)	36,000 W
Rated Output Voltage	277 V / 480 V, 3W+PE
Rated AC Grid Frequency	50 Hz / 60 Hz
Max. Output Current	48 A
Adjustable Power Factor	0.8 LG ... 0.8 LD
Max. Total Harmonic Distortion	< 3%
	<b>Protection</b>
Input-side Disconnection Device	Yes
Anti-Islanding Protection	Yes
AC Overcurrent Protection	Yes
DC Overcurrent Protection	Fuseless
DC Reverse-Polarity Protection	Yes
PV-array String Fault Monitoring	Yes
DC Surge Arrester	Type II
AC Surge Arrester	Type II
Insulation Monitoring	Yes
Residual Current Detection	Yes
	<b>Communication</b>
Display	LED Indicators
RS485	Yes
USB / Bluetooth + APP	Yes
Power Line Communication (PLC)	Optional
	<b>General</b>
Dimensions ( W×H×D )	550×770×270 mm (21.7×30.3×10.6 inch)
Weight	50 kg (110 lb)
Operation Temperature Range	-25 °C ~ +60 °C (-13°F ~ +140°F)
Cooling	Natural Convection
Operating Altitude	4,000 m (13,123 ft)
Relative Humidity	0 ~ 100%
DC Connector	Amphenol H4
AC Connector	Waterproof PG Terminal + OT Connector
Protection Rating	IP65
Internal Consumption at Night	< 1 W
Topology	Transformerless
Noise Emission (Typical)	<33 dB
	<b>Standards Compliance</b>
Safety/EMC	EN 61000-3, EN 61000-6, EN/IEC 62109-1, EN/IEC 62109-2, IEC 60529
Grid Code	CGC/GF 035-2013, GB/T 19964-2012, NB/T 32004-2013, IEC 61727, IEC 62116, EN 50438, PEA 2013, Resolution No. 07, IEC 61683, IEC 60068-2

Always Available for Highest Yields



[www.huawei.com/solar](http://www.huawei.com/solar)